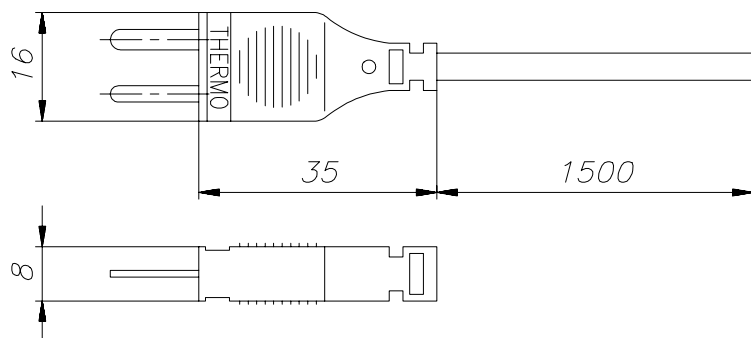


MOULDED MINIATURE PLUG LEAD

with thermocouple material contacts



Features:

- One moulded piece
- Durable construction
- Built-in strain relief
- Reducing labour costs
- Moisture proof
- Fits any miniature jack or panel

Specifications:

Material	:	thermoplastic (PVC)
Contacts	:	thermocouple material, flat pins
Colour	:	black
Calibration	:	Chromel-alumel (type K)
Lead wire	:	PVC insulated flexible compensation wire
Lead wire length	:	standard 1500 mm
Max. temperature	:	90 °C
Identification	:	plus/minus signal and calibration code moulded in connector body
Options	:	other calibrations and lead wire types available on request



Thermo Electric
P.O. Box 179
2740 AD Waddinxveen
The Netherlands

Tel. : +31 (0)182 – 302 850
Fax : +31 (0)182 – 302 777
E-mail : info@thermo-electric.nl
Internet : <http://www.thermo-electric.nl>

I/117
Rev.00 08/03