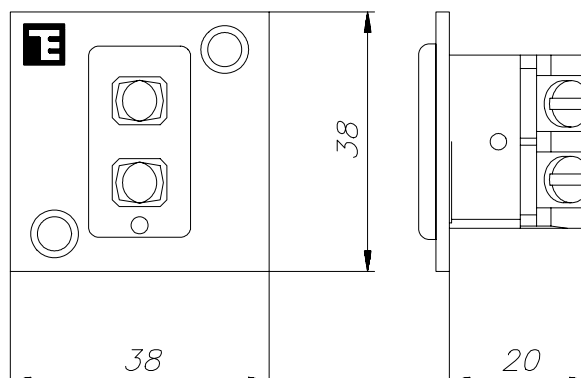


STANDARD PANEL

single circuit; 200 °C



Specifications:

Front panel	:	anodized aluminium 2,4 mm thick
Panel dimensions	:	38 x 38 mm
Panel cut-out	:	square or round 30 mm
Depth behind panel	:	20 mm
Contacts	:	thermocouple material with offset screw terminals for easy wiring
Max. temperature rating	:	200 °C
Max. conductor diameter	:	2 mm
Identification	:	inserts colour coded to IEC or any other standard, polarity identified at the rear of the insert
Mounting method	:	2 latching screws from the front
Mating connector	:	any Thermo Electric standard round pin plug

These panels are also available on special order in high temp (350 °C) execution with stainless steel front plate.

Ordering code:

Thermocouple type	Complete panel	IEC	Complete panel	ANSI
Iron-constantan	PAN13101JBK	black	PAN13101JBK	black
Chromel-alumel	PAN13201KGR	green	PAN13201KYL	yellow
Copper-constantan	PAN13301BR	brown	PAN13301BL	blue
PtRh-Pt	PAN13401SOR	orange	PAN13401SGR	green
Chromel-constantan	PAN13501EPL	violet	PAN13501EPL	violet
Copper-copper	PAN13601BGY	grey	PAN13601BWH	white
Nicrosil-nisil	PAN13701NPK	pink	PAN13701NOR	orange



Thermo Electric
P.O. Box 179
2740 AD Waddinxveen
The Netherlands

Tel. : +31 (0)182 – 302 850
Fax : +31 (0)182 – 302 777
E-mail : info@thermo-electric.nl
Internet : <http://www.thermo-electric.nl>

I/300
Rev.00 08/03