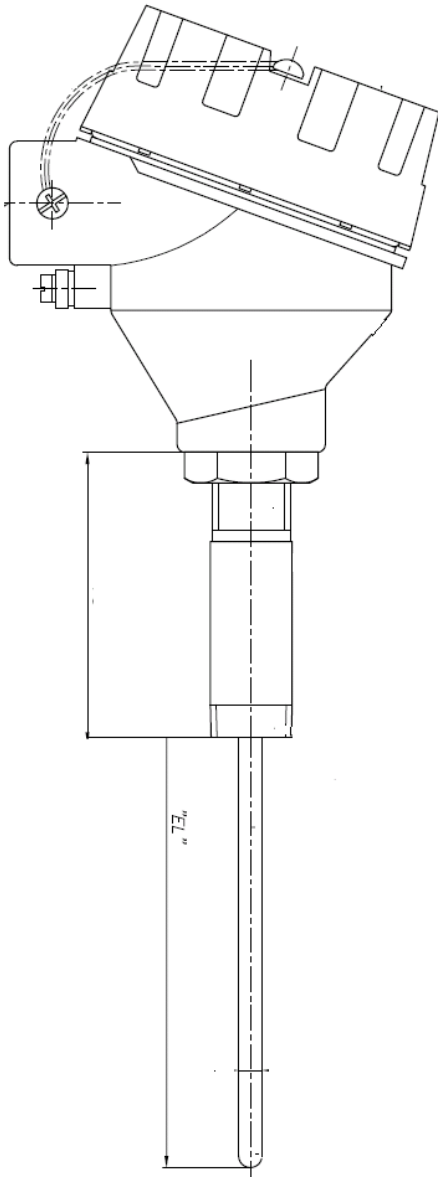


EXPLOSION PROOF TR CU

Industrial temperature sensors Ex d



Specifications:

Series:	XPS-30.000
<u>CONNECTION HEAD</u>	
Type	weatherproof with screw on cover
Material	cast-aluminium (SS up on request)
Max. temperature	80 °C
Conduit entry thread	3/4" NPT standard; if 1/2" NPT, BSP or metric thread, please specify
<u>EXTENSION</u>	
Type	adjustable nipple with locknut
Material	Stainless steel
Length	approx. 175 mm; other lengths optional
Process connection	1/2" NPT, male thread
<u>INSERT</u>	
Type	approved thermocouple or resistance insert (see A103r)
Insertion length below nipple	to be specified; replace box behind ordering code
Insert length	A + 221 mm
<u>THERMOWELL</u>	
Type	any type of thermowell; to be specified separately
<u>APPROVAL</u>	
Classification	1ExdIICT1...T6
Certificate number	TC RU C-NLrB06.B.00542
Protection category	'd' flame proof enclosure
Explosion group	IIC
Temperature class	T6...T1
Applicable standards	GOST 30852.1-2002, GOST 30852.10-2002

Also available in Atex, IEC, CSA/us and KTL

The cable gland shall be a certified model and is not part of the approval

Ordering code:

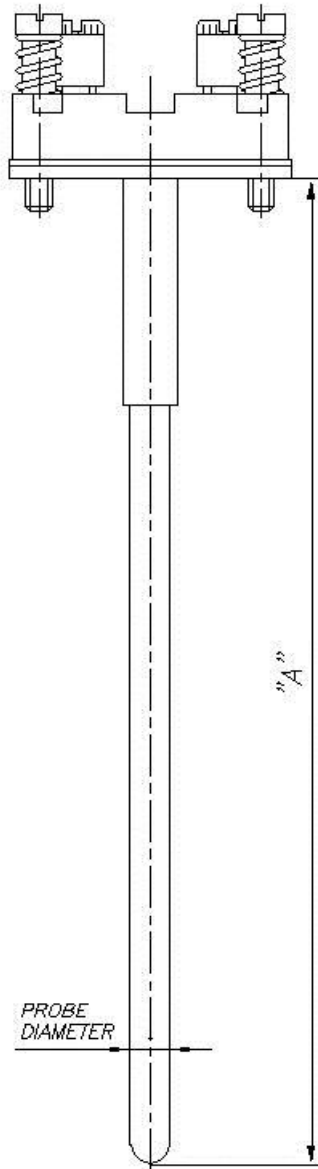
CAST-ALUMINIUM HEAD

Probe type	Single	Duplex
J 4,8 mm	XPS-35103- J -□ mm	XPS-36103- J -□ mm
K 4,8 mm	XPS-35103- K -□ mm	XPS-36103- K -□ mm
T 4,8 mm	XPS-35103- T -□ mm	XPS-36103- T -□ mm
N 4,8 mm	XPS-35103- N -□ mm	XPS-36103- N -□ mm
Pt 100 6,0 mm	XPS-35103- Pt100-□ mm	XPS-36103- Pt100 -□ mm

□ = immersion length 'A' in mm (to be specified)

MI-CABLE TC/PT100 INSERTS

for Thermo Electric Ex d approved sensors TR CU



Specifications :

Probe type	mineral insulated
Outside diameter	4,8 mm (3/16")
Insulation material	densely packed MgO
Min. insulation resistance	10 Mohm at ambient temperature with, 200 V DC
Termination	ceramic DIN terminal block with clamp, type terminals
Max. spring loading	10 mm
Probe length 'A'	to be specified

THERMOCOUPLE

Type	iron-constantan, type J chromel-alumel, type K copper-constantan, type T nicosil-nisil, type N
Standard limits of error	ANSI MC 96.1 / IEC 60584
Sheath material	SS 316 for type J and T (Wstrnr.1.4401); Inconel 600 for type K,N (Wstrnr.2.4816)
Hot junction	insulated, individually insulated for duplex
Probe diameter	4,8 mm or 6,0mm please specify

RESISTANCE THERMOMETER

Element type	Pt 100, single or duplex
Resistance values and tolerances	IEC 60751 class B
Max. voltage	5 V (10 mA)
Wiring system	3 wires from element
Probe diameter	6 mm

These items fit standard Ex d temperature sensors series XPS-30.000 see page A103

Ordering code:

Probe type	Single		Duplex	
		'A'		'A'
J 4,8 mm	TEE-60482-	J -□ mm	TEE-62484-	J -□ mm
K 4,8 mm	TEE-60482-	K -□ mm	TEE-62484-	K -□ mm
T 4,8 mm	TEE-60482-	T -□ mm	TEE-62484-	T -□ mm
N 4,8 mm	TEE-60482-	N -□ mm	TEE-62484-	N -□ mm
Pt 100 6,0 mm	RTD-60603-	Pt100 -□ mm	RTD-62606-	Pt100 -□ mm

□ = probe length 'A' in mm (to be specified)