

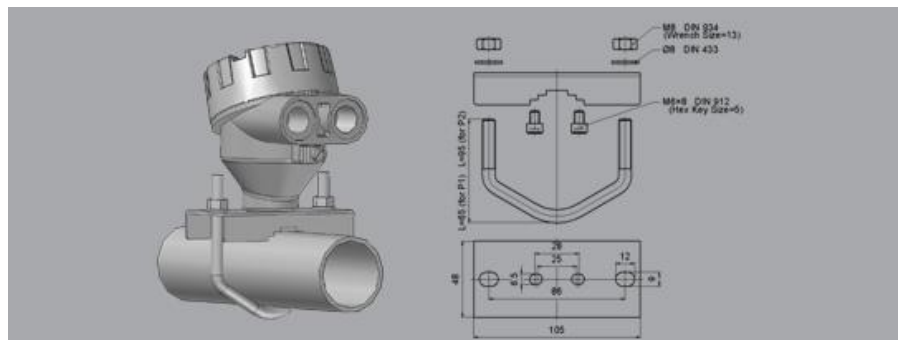
CONNECTION HEAD

Remote mounted

Cast aluminium head

Specifications:

Series	:TSA-40.000
CONNECTION HEAD	
Type	:Heavy weight connection head for remote mounted
Mounting:	SS 2 inch Pipe clamp
Body material	:cast-aluminium, coated
Conduit entry thread	:2 x M20 x 1,5 or 2 x ½ inch NPT
Approvals	:Flameproof for use in zone 1,2 ATEX, IEC/Ex and CSA/us



Ordering code : TSA-40001 with 2 x M20 x 1,5
: TSA-40002 with 2 x ½ inch NPT