

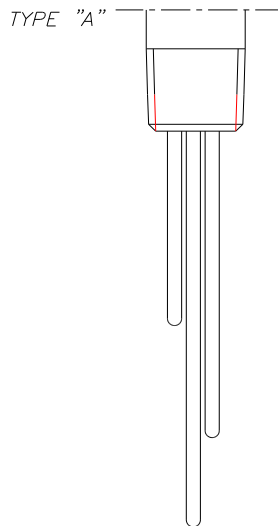
# MULTIPOINT THERMOCOUPLES

## other typical designs

### Specifications:

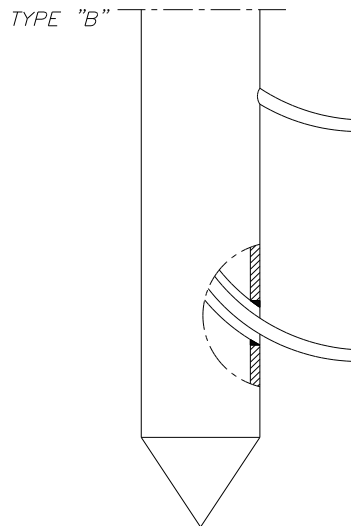
#### TYPE 'A'

Mi-cable (MgO) thermocouples, free hanging for use in non pressurized applications or in a protection well depending on application environment



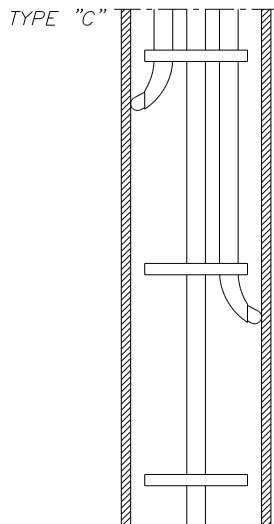
#### TYPE 'B'

Each Mi-cable (MgO) thermocouple can be retracted for transport and mounting purposes and is individually replaceable without disassembling the complete unit



#### TYPE 'C'

Mi-cable (MgO) thermocouples are spring loaded to provide with inner wall of thermowell  
This construction allows replacement of the thermocouple during operation



#### TYPE 'D'

Each Mi-cable (MgO) or beaded type thermocouple is enclosed in a guide tube which terminates at a special block welded to the thermowell at the point to be measured  
Each thermocouple can be replaced during operation

