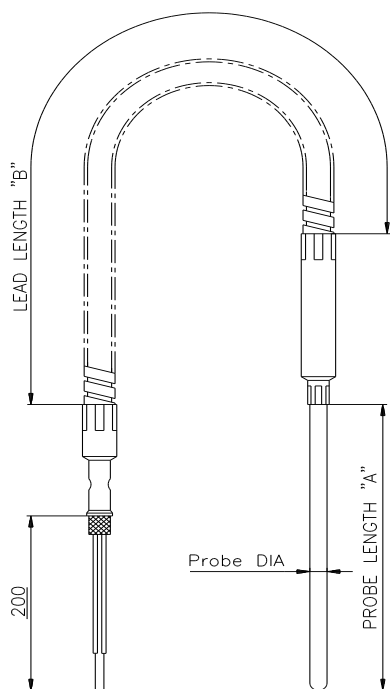


# MINIATURE MI-CABLE THERMOCOUPLES

single with SS armoured lead wire



## Specifications:

Probe type	:	mineral insulated single thermocouple
Thermocouple type	:	iron-constantan, type J  chromel-alumel, type K  copper-constantan, type T
Standard limits of error	:	IEC 584.2
Insulation material	:	densely packed MgO, 99,6% purity
Sheath material	:	SS 316 for J and T  Inconel 600 for type K
Hot junction	:	insulated
Minimum insulation resistance	:	10 Mohm at ambient temperature with 200 V DC
Lead wire	:	Teflon insulated flexible thermocouple wire covered with stainless steel flexible armour; 200 mm unarmoured tails; positive wire identified with polarity mark
Upper temperature limit for lead wire	:	200 °C
Max. temperature transition	:	200 °C
Probe length 'A'	:	to be specified; replace box in ordering code with your required length
Lead wire length 'B'	:	to be specified; replace box in ordering code with your required length
For accessories	:	see separate datasheet

See B/100 for explanation of codes and alternative constructions.

## Ordering code:

Probe diameter	Calibration J	Calibration K	Calibration T
	'A' 'B'	'A' 'B'	'A' 'B'
1,6 mm (1/16")	MTS-33161-J-□-□-MM	MTS-33163-K-□-□-MM	MTS-33161-T-□-□-MM
3,2 mm (1/8")	MTS-33321-J-□-□-MM	MTS-33323-K-□-□-MM	MTS-33321-T-□-□-MM
4,8 mm (3/16")	MTS-33481-J-□-□-MM	MTS-33483-K-□-□-MM	MTS-33481-T-□-□-MM
6,4 mm (1/4")	MTS-33641-J-□-□-MM	MTS-33643-K-□-□-MM	MTS-33641-T-□-□-MM

□ = probe length 'A' and lead wire length 'B' in mm (to be specified)