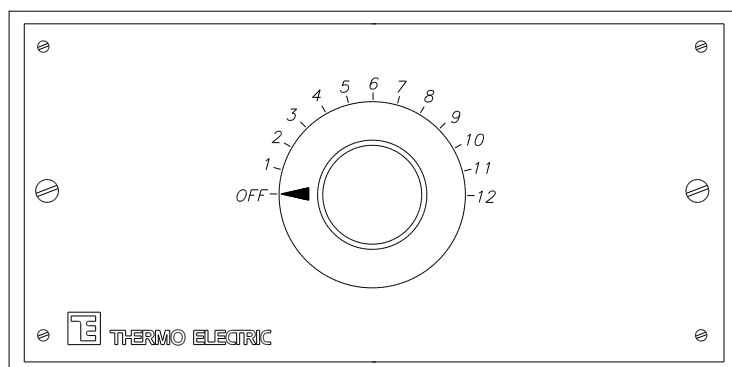


ROTARY SWITCH

for t/c, RTD or other low voltage primary sensors



Features:

- Large knob
- Robust
- Thermocouple wiring upon request
- Pre-wired internal
- Metal case
- Easy to use

Specifications:

Model numbers	: SWT-10006, SWT-10012, SWT-10018, SWT-10023
Number of points	: OFF -6, 12, 18, 23
Type of switch	: 2, 3 or 4 pole, make before break
Contact material	: gold plated silver, completely sealed
Contact resistance	: 0,01 Ohms maximum
Contact life	: 40.000 operations minimum
Ambient temperature range	: -10 to +70 °C
Contact rating	: 0,75 A at 28 V DC resistive load
Insulation resistance	: 10 Megohm minimum
Internal wiring	: copper, for thermocouple wiring see options overleaf
Connections	: rear mounted terminals; suitable for up to 2,5 mm ² conductors; off position shorts the terminals
Mounting method	: via front access panel clamps into DIN size 186 x 92 cut out; maximum panel thickness 5 mm
Case material	: sheet steel; front panel natural anodised aluminium with black numerals
Dimensions	: DIN size 192 x 96 mm; depth behind panel 167 mm except models SWT-10018 3 and 4 wire and SWT-10023 3-wire, which have case size 288 x 96 mm
Weight	: approx 1,5 kg

Ordering code:

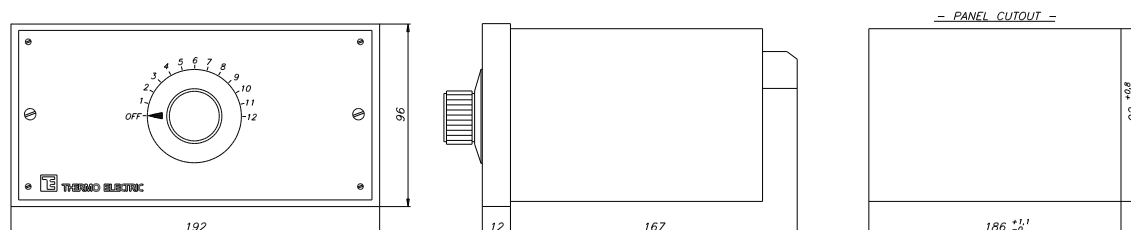
SWT	-	100	-	number of points	-	calibration	-	0
				06 = 6 points 12 = 12 points 18 = 18 points 23 = 23 points		K, J, T, E, R, S, B or Cu		2, P3 (3-wire) or P4 (4-wire)

ROTARY SWITCH

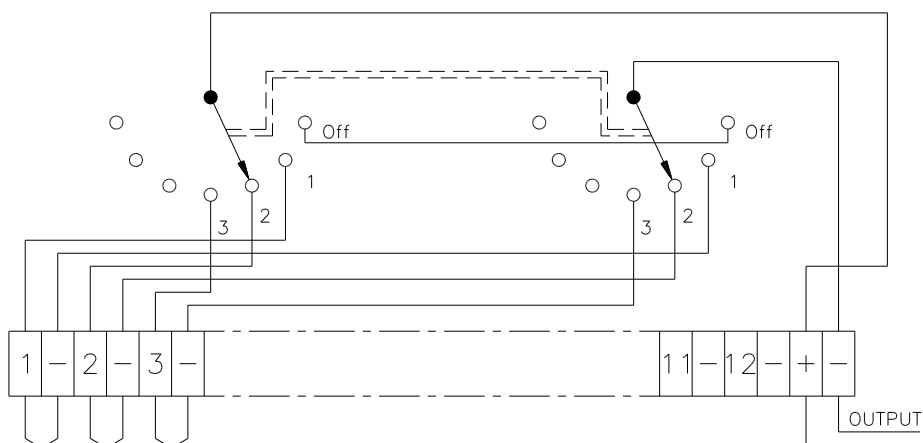
for t/c, RTD or other low voltage primary sensors



Dimensions (in mm):



Options:



We recommend internal wiring of thermocouple material when temperature gradients are expected between terminals and switch contacts.

All models available for 3 and 4 wire resistance thermometer except SWT-10023 4 wire. When required 3 or 4 wire RTD, specify P3 or P4 after model number.

Standard and custom built key switches and push buttons switches also available.

Break before make also available upon special request.

As option an earth terminal per sensor is available upon request.