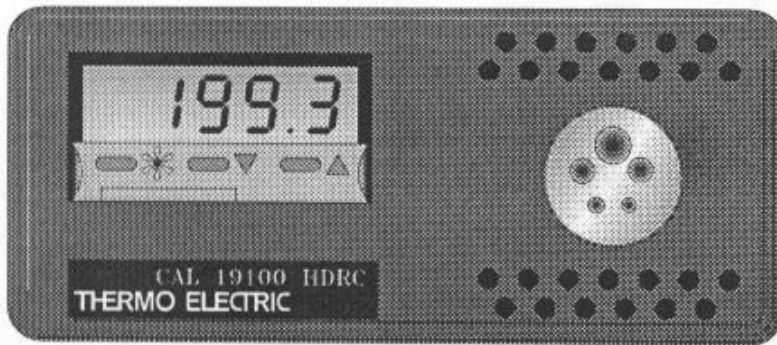


# HAND HELD DRY WELL CALIBRATOR

portable, 33 °C to 300 °C



## Features:

- Hand held
- Light weight
- Small size
- 0,1 °C resolution
- Microprocessor based
- Available in 3 versions

## Applications:

To check the accuracy of your thermometers and sensors without carrying around heavy and expensive equipment.

## Specifications:

Model	:	CAL-9100; complete with TE certificate at 50, 100, 150, 200, 250 and 300 °C
Temperature range	:	33 °C to 300 °C (92 °F to 572 °F)
Display resolution	:	0,1 °C (or °F)
Display	:	LED, 14 mm high green LED's, 4 digits
Accuracy	:	± 0,5 °C from 33 to 100 °C ± 1 °C from 100 to 300 °C ± 2 °C holes greater than 6,35 mm
Stability	:	± 0,2 °C
Heating time	:	33 to 300 °C in 9,5 minutes
Stabilization	:	3 minutes
Cooling time	:	300 to 100 °C in 14 minutes
Hole diameters	:	block A : 1,6 mm, 3,2 mm, 4 mm, 2x 4,8 mm and 6,4 mm block B : 3 mm, 4,8 mm, 6,35 mm and 9,5 mm block C : 4,8 mm and 12,7 mm
Insertion length	:	102 mm
Usage position	:	vertical or under bezel angle
Enclosure	:	rugged aluminium
Dimensions	:	57 x 125 x 150 mm (H x W x D)
Weight	:	1,08 kg.
Power supply	:	90 to 130 V AC or 180 to 260 V AC, 50/60 Hz

## Ordering code:

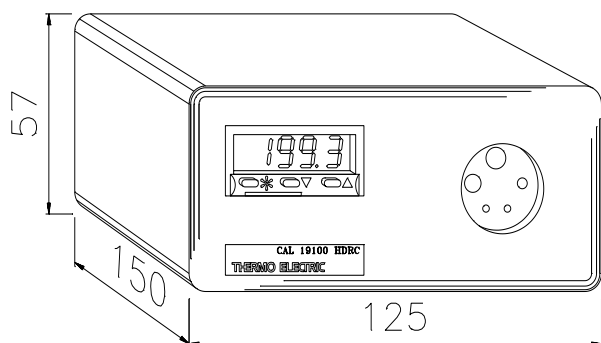
CAL - 9100 - block

A, B or C

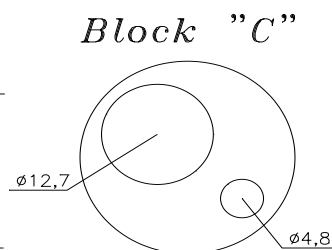
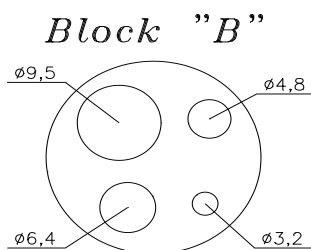
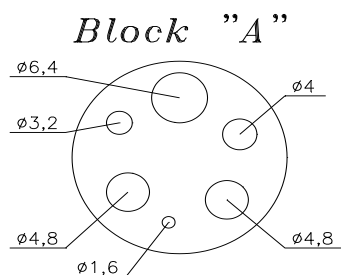
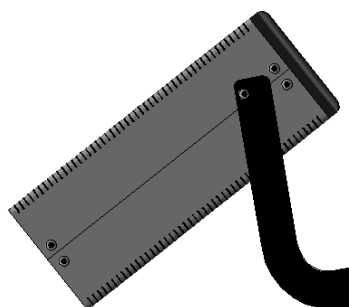
# HAND HELD DRY WELL CALIBRATOR

portable, 33 °C to 300 °C

## Dimensions (in mm):



Side view:



## Options:

The CAL-9100 fits neatly into the large case together with the Fluke 724 , the accurate temperature indicator/calibrator. In this way you have an accurate measurement unit together with an accurate temperature dry-well calibrator all in one light package. See datasheet K/150 for more information about the Fluke 724 .

## Accessories:

CAL-3206 : rugged carrying case for CAL-9100