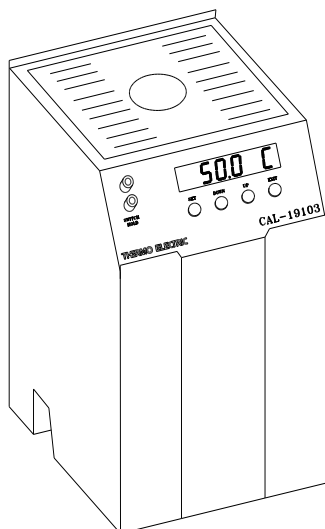


# LOW TEMP FIELD CALIBRATOR

portable, -25 °C to +125 °C



## Features:

- Adjustable heating and cooling rates
- Compact; small size, light weight
- Automatic thermal switch test with display hold
- 0,1°C resolution; large range
- Super cooling to -25 °C
- Microprocessor based
- RS-232 included with software

## Applications:

For quick accurate testing of thermocouples, resistance elements and thermal switches in laboratories, refineries, power stations, steel works, maintenance, repair and testing facilities

Model	:	CAL-9103
Range	:	-25 °C to +125 °C
Display resolution	:	0,1°

## Specifications:

Display	:	actual and set-point temperature
Control system	:	PID controller with high stability platinum RTD probe
Stability	:	± 0,1 °C
Accuracy	:	± 0,5 °C (± 1°C for larger holes than 6,4 mm)
Uniformity	:	± 0,3 °C typical (± 0,1°C with similar size wells)
Display scale	:	°C or °F switchable
Heating time	:	6 minutes from ambient to 100°C
Cooling time	:	8 minutes from 100° to ambient
Stabilisation time	:	approx. 7 minutes
Insertion length	:	124 mm
Interchangeable inserts	:	one of the following blocks is available block A : (variety block) 12,7 mm, 9,5 mm, 6,4 mm, 4,8 mm, 3,2 mm and 1,6 mm block B : (comparison block) 2 x 9,5 mm, 2 x 6,4 mm, 2 x 4,8 mm block C : (1/4" comparison block) 6 x 6,4 mm
Usage position	:	vertical
Enclosure	:	rugged aluminium
Dimensions	:	261 x 143 x 245 mm (H x W x D)
Power supply	:	94 to 234 V AC; 50/60 Hz
Weight	:	5700 g (excl. carrying case)

## Ordering code:

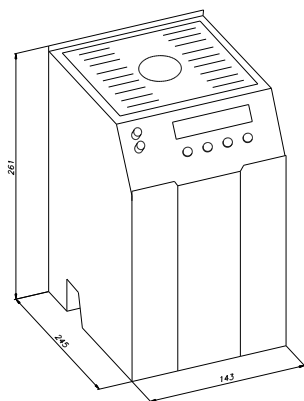
CAL - 9103 - block  
A, B or C

# LOW TEMP FIELD CALIBRATOR

portable, -25 °C to +125 °C

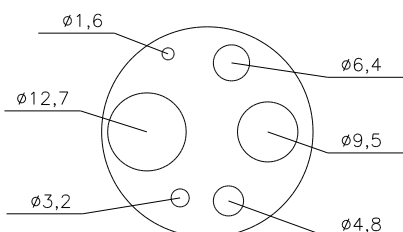


## Dimensions (in mm):

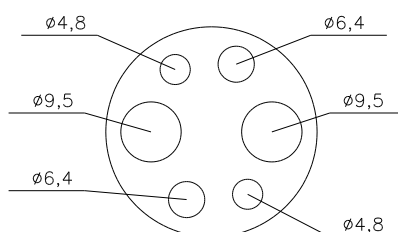


261 x 143 x 245 mmS

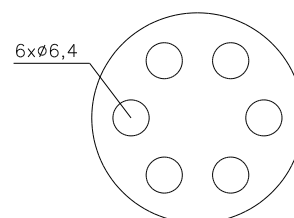
*Block "A"*



*Block "B"*



*Block "C"*



## Accessories:

CAL-3210	:	insert block A for CAL-9103/CAL-9140
CAL-3211	:	insert block B for CAL-9103/CAL-9140
CAL-3212	:	insert block C for CAL-9103/CAL-9140
CAL-3223	:	insert blank for CAL-9103/CAL-9140