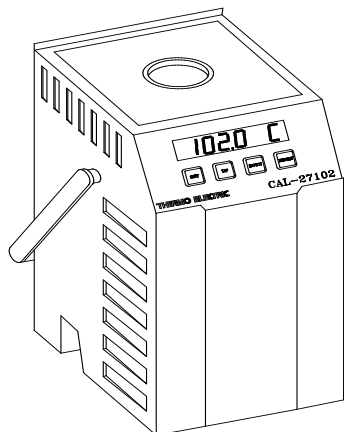


MICRO CALIBRATION BATH

portable, -5 °C to 125 °C



Features:

- Calibrates sensors of any size or shape
- Complete with RS 232
- Complete with certificate
- Transport sealed lid
- Portable
- CFC free

Applications:

For temperature testing of industrial thermocouples and other large diameter sensors at plants, maintenance, repair and testing facilities.

Specifications:

Model	: CAL-7102
Temperature range	: -5 °C to 125 °C (23 °F to 257 °F)
Display resolution	: 0,01 °C or °F
Display	: green LED's, value and °C
Accuracy display	: ± 0,4 °C (± 0.7 °F)
Stability	: ± 0,015 °C (0.036 °F) with water, ± 0.03 °C (± 0.05 °F) with 200.05 oil
Uniformity	: 0,02°C (± 0.036 °F)
Operating temperature	: 5 °C to 45 °C (41 °F to 113 °F)
Controller operation	: see reverse side
Temperature setting	: digital with push button data entry
Controller	: hybrid analogue/digital controller with data retention
Heating time	: 25 °C to 100 °C 30 minutes (77 °F to 212 °F)
Cooling time	: 30 minutes from 25 °C to 0 °C (77 °F to 32 °F)
Insertion depth	: 139 mm
Bath diameter	: 64 mm (2.5")
Bath volume	: 1,6 litre
Wetted parts	: 304 SS
Interface	: serial RS 232 standard, IEEE optional
Usage position	: vertical
Enclosure	: rugged aluminium
Dimensions	: 180 mm x 310 mm x 240 mm
Power supply	: 115 VAC or 230 VAC (± 10 %)
Weight	: 6800 g (with fluid)

Ordering code:

CAL	-	7102	-	E		voltage	-		communications
-----	---	------	---	---	--	---------	---	--	----------------

1= 90-130 V with USA plug
2= 220V with European plug
4= 230 V with UK plug

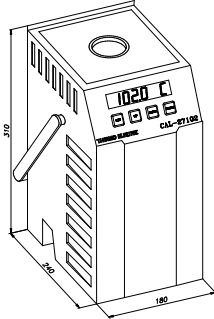
RS = with RS 232 serial comm.
IE = with IEEE-488 comm.

MICRO CALIBRATION BATH

portable, -5 °C to 125 °C



Dimensions (in mm):



180 x 310 x 240 mm

Technical:

Controller operation :

well temperature, reset cut-out, temperature set point, temperature hold mode, ramp and soak programs, secondary menu, heater power, proportional band, cut-out, temperature display hold, controller configuration, probe parameters menu, operating parameters, serial interface parameters, IEEE-488 parameters, calibration parameters

General:

The model CAL - 7102 is truly a portable bath, which makes it the perfect calibration instrument for just any sized temperature sensor. Its 130 mm deep stirred temperature well is stable to within ± 0.015 °C with water to 90 °C. It works great for large diameters, short stem, liquid in glass or odd shaped probes that are difficult to calibrate in a dry-well. The diameter of the tank is 63.5 mm, so you can immerse almost any size sensor.

There is no need to drain the tank fluid before you carry this micro bath to an other location. Simple screw the O-ring sealed lid onto the tank and transport it spill-free.

Accessories:

- CAL-3231 : 76,2 mm extension adapter
- CAL-3235 : software package for Windows 95
- CAL-3240 : extremely durable carrying case, ideal for transport, when recalibration is required