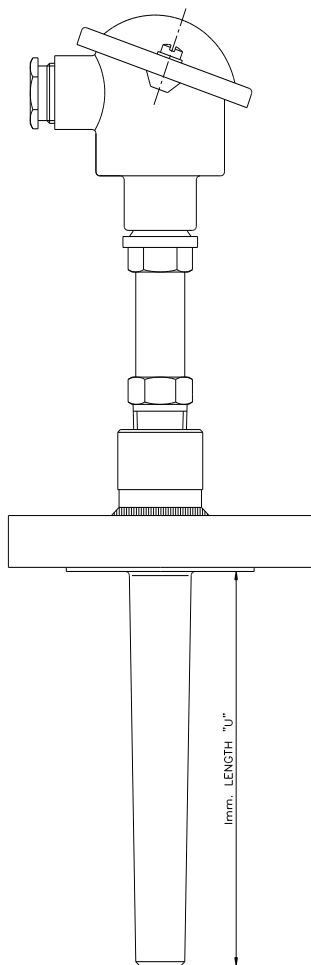


INDUSTRIAL TEMPERATURE SENSORS

DIN type, flanged bar stock thermowell

Series

: ITS-20.000



Specifications:

CONNECTION HEAD ASSEMBLY

Type : series TSA-20.000
 Material : cast-aluminium
 Conduit entry : PG 16 cable gland
 Extension : galvanized nipple with gland nut for head adjustment; length approx. 75 mm

INSERT

Thermocouple : series TEE-20.000 single or duplex (probe diameter 4,8 mm or 6,4 mm)
 Resistance thermometer : series RTD-20.000 single or duplex
 3-wire system (max. operating temperature 400 °C or 550 °C)
 Insert length 'A' : for replacement insert add 145 mm to 'U' length
 For complete specification : see separate datasheets

THERMOWELL

Type : drilled bar stock with flange type
 TWE-23702
 Material : SS 316 (Wst.nr. 1.4401)
 Bore : 7 mm
 Bar stock diameter : 32 mm
 Flange size, rating and material : to be specified
 Stem size : tapered from round 22 mm to 19 mm at the tip
 Immersion length 'U' : to be specified; replace box in ordering code with your required length
 Total well length : 'U' plus 50 mm

Ordering code:

| Probe type | SINGLE Complete assembly | | | DUPLEX Complete assembly | | |
|---------------|--------------------------|--------------|--------|--------------------------|--------------|--------|
| | | 'U' | Flange | | 'U' | Flange |
| J 4,8 mm | ITS-20562- | J -□ mm-□ | | ITS-22562- | J -□ mm-□ | |
| J 6,4 mm | ITS-23562- | J -□ mm-□ | | ITS-24562- | J -□ mm-□ | |
| K 4,8 mm | ITS-20562- | K -□ mm-□ | | ITS-22562- | K -□ mm-□ | |
| K 6,4 mm | ITS-23562- | K -□ mm-□ | | ITS-24562- | K -□ mm-□ | |
| T 4,8 mm | ITS-20562- | T -□ mm-□ | | ITS-22562- | T -□ mm-□ | |
| T 6,4 mm | ITS-23562- | T -□ mm-□ | | ITS-24562- | T -□ mm-□ | |
| Pt 100 550 °C | ITS-20562- | Pt100-□ mm-□ | | ITS-22562- | Pt100-□ mm-□ | |
| Pt 100 400 °C | ITS-25562- | Pt100-□ mm-□ | | ITS-26562- | Pt100-□ mm-□ | |

□ = immersion length 'U' in mm (to be specified)