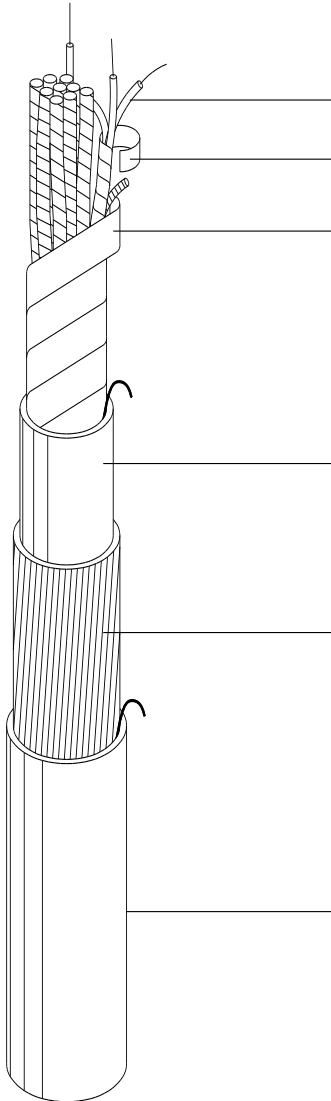


CODE KEY

thermocouple extension cable

Example:

<u>P</u>	/	<u>ALM</u>	/	<u>AL</u>	<u>P</u>	<u>W</u>	<u>P</u>	<u>TW</u>	<u>K</u>	-	<u>12</u>	-	<u>20</u>	-	<u>KX</u>
1		2		3	4	5	6	7	8		9		10		11



- 1 Conductor insulation PVC
- 2 Individual shield + drain wire
- 3 Overall shield + drain wire
- 4 PVC inner jacket (optional)
- 5 Galvanized steel wire armour
- 6 PVC outer jacket
- 7 Twisted conductors
- 8 Cable (more than 1 pair or triad)
- 9 No. of pairs or triads (on datasheet □, example: 12)
- 10 Conductor size in AWG
- 11 Chromel-alumel conductors