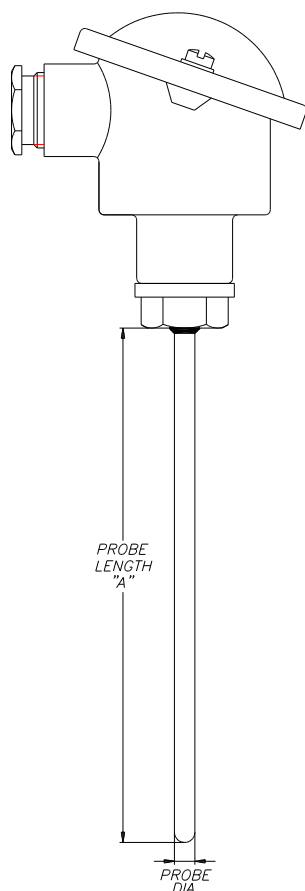


MI-CABLE THERMOCOUPLE PROBES

with light weight connection head



Specifications:

Series	:	OTP-70.000
Probe type	:	mineral insulated single or duplex thermocouple
Thermocouple type	:	iron-constantan, type J chromel-alumel, type K copper constantan, type T
Standard limits of error	:	ANSI MC 96.1/IEC-584
Insulation material	:	densely packed MgO, 99,6% purity
Probe diameter	:	4,8 mm (3/16") 6,4 mm (1/4")
Sheath material	:	SS 316 for type J and T (W.1.4301) and Inconel 600 for type K (W.2.4816)
Hot junction	:	insulated, common insulated for duplex
Minimum insulation resistance	:	10 Mohm at ambient temperature with 200VDC
Connection	:	cast aluminium DIN form B with ceramic terminal block
Conduit entry	:	PG 16 cable gland
Probe length 'A'	:	to be specified; replace box in ordering code with your required length; our standard lengths are 150 mm, 250 mm, 350 mm, 500 mm and 750 mm
Adjustable mounting bushing	:	to be specified separately, material SS

mounting thread: 1/4" NPT

probe \varnothing	ordering code
4,8 mm	MTS-90482
6,0 mm	MTS-90642

For other types, see datasheet B/410

□ = probe length 'A' in mm (to be specified)

Ordering code:

Probe diameter	Thermocouple type	Single		Duplex	
			'A'		'A'
4,8mm (3/16")	Type J	OTP-70481-	J -□ mm	OTP-72481-	J -□ mm
	Type K	OTP-70483-	K -□ mm	OTP-72483-	K -□ mm
	Type T	OTP-70481-	T -□ mm	OTP-72481-	T -□ mm
6,4mm (1/4")	Type J	OTP-70641-	J -□ mm	OTP-72641-	J -□ mm
	Type K	OTP-70643-	K -□ mm	OTP-72643-	K -□ mm
	Type T	OTP-70641-	T -□ mm	OTP-72641-	T -□ mm