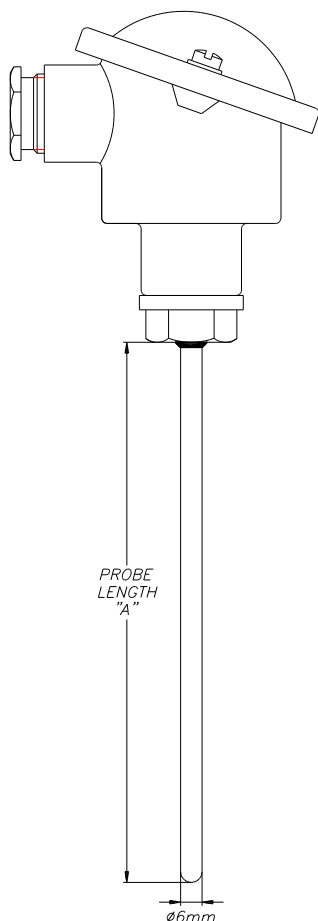


RESISTANCE THERMOMETER PROBES

with light weight connection head



Specifications:

Series	:OTP-80.000
Probe type	:sheathed construction
Temperature range	:-50 to +400°C
Element type	:Pt100, single or duplex
Resistance values and tolerances	:IEC-751 class B
Nominal resistance	:100 Ohm ± 0,1 at 0 °C
Nominal temperature coefficient	:0,00385
Recommended maximum current	:10 mA
Minimum insulation resistance	:10 Mohm at ambient temperature with 200 V DC
Wiring system	:2, 3 or 4 wire
Inner lead resistance	:negligible
Connection	:cast aluminium DIN form B with ceramic terminal block
Conduit entry	:PG 16 cable gland
Sheath material	:SS 316 (Wstnr.1.4401)
Probe length 'A':	to be specified; replace box in ordering code with your required length; our standard lengths are 150 mm, 250 mm, 350 mm, 500 mm and 750 mm
Adjustable mounting bushing	:to be specified separately;

material stainless steel

probe Ø	mounting thread	ordering code
6,0 mm	M12 x 1,5 mm	MTS-90603

For other types, see datasheet B/410

Ordering code:

Wiring system

2 wire
3 wire
4 wire

□ = probe length 'A' in mm (to be specified)

Single

OTP-80602- Pt100-□ mm
OTP-81602- Pt100-□ mm
OTP-83602- Pt100-□ mm

Duplex

OTP-82602- Pt100-□ mm
OTP-84602- Pt100-□ mm