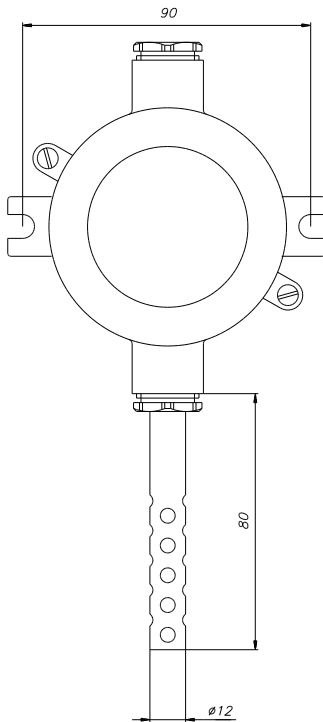


AIR TEMPERATURE SENSORS

for wall mounting



Specifications:

Type	:	resistance thermometer with connection box
Temperature range	:	-30 to +70 °C
Element type	:	Pt100, single
Resistance type and tolerance	:	IEC-751 class B (1/6 DIN at 0 °C)
Wiring system	:	4-wire
Connection box material	:	brass
Protection tube	:	round 12 mm stainless steel, perforated with open end
Cable entry	:	G 5/8 cable gland for wire size 6-10 mm o.d.
Approval	:	Bureau Veritas

Ordering code:

Duplex	:	OTP-18028- Pt100	9147436
Single	:	OTP-18027- Pt100	9167437