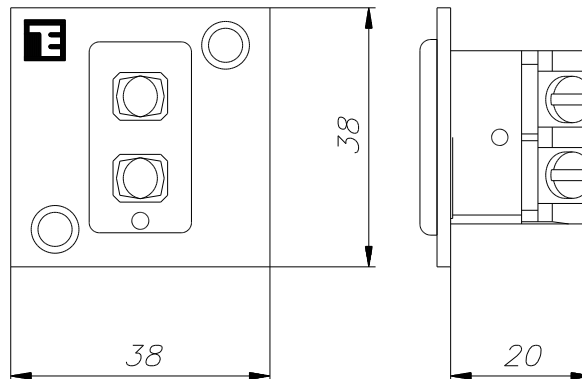


STANDARD PANEL

single circuit; 200 °C



Specifications:

| | | |
|-------------------------|---|--|
| Front panel | : | anodized aluminium 2,4 mm thick |
| Panel dimensions | : | 38 x 38 mm |
| Panel cut-out | : | square or round 30 mm |
| Depth behind panel | : | 20 mm |
| Contacts | : | thermocouple material with offset screw terminals for easy wiring |
| Max. temperature rating | : | 200 °C |
| Max. conductor diameter | : | 2 mm |
| Identification | : | inserts colour coded to IEC or any other standard, polarity identified at the rear of the insert |
| Mounting method | : | 2 latching screws from the front |
| Mating connector | : | any Thermo Electric standard round pin plug |

These panels are also available on special order in high temp (350 °C) execution with stainless steel front plate.

Ordering code:

| Thermocouple type | Complete panel | IEC | Complete panel | ANSI |
|--------------------|----------------|--------|----------------|--------|
| Iron-constantan | PAN13101JBK | black | PAN13101JBK | black |
| Chromel-alumel | PAN13201KGR | green | PAN13201KYL | yellow |
| Copper-constantan | PAN13301BR | brown | PAN13301BL | blue |
| PtRh-Pt | PAN13401SOR | orange | PAN13401SGR | green |
| Chromel-constantan | PAN13501EPL | violet | PAN13501EPL | violet |
| Copper-copper | PAN13601BGY | grey | PAN13601BWH | white |
| Nicrosil-nisil | PAN13701NPK | pink | PAN13701NOR | orange |