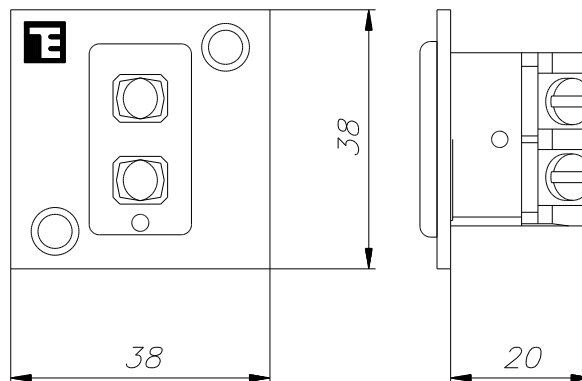


# HIGH TEMP STANDARD PANEL

single circuit; 350 °C



## Specifications:

Front panel	:	stainless steel 2,4 mm thick
Panel dimensions	:	38 x 38 mm
Panel cut-out	:	square or round 30 mm
Depth behind panel	:	20 mm
Contacts	:	thermocouple material with offset screw terminals for easy wiring
Max. temperature rating	:	350 °C
Max. conductor diameter	:	2 mm
Identification	:	inserts colour coded to IEC or any other standard, polarity identified at the rear of the insert
Mounting method	:	2 holes with a diameter of 4,5 mm; centre 5 mm from each side
Mating connector	:	Thermo Electric's high temp standard plug

## Ordering code:

Thermocouple type	Complete panel	IEC	Complete panel	ANSI
Iron-constantan	PAN17101JBK	black	PAN17101JBK	black
Chromel-alumel	PAN17201GR	green	PAN17201KYL	yellow
Copper-constantan	PAN17301BR	brown	PAN17301BL	blue
PtRh-Pt	PAN17401SOR	orange	PAN17401SGR	green
Chromel-constantan	PAN17501EPL	violet	PAN17501EPL	violet
Copper-copper	PAN17601BGY	grey	PAN17601BWH	white
Nicrosil-nisil	PAN17701NPK	pink	PAN17701NOR	orange